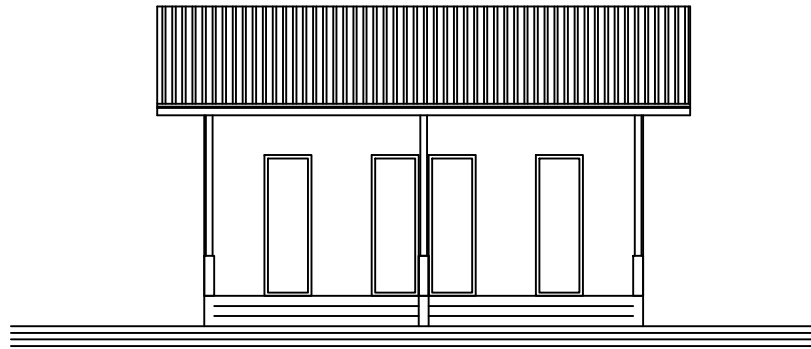
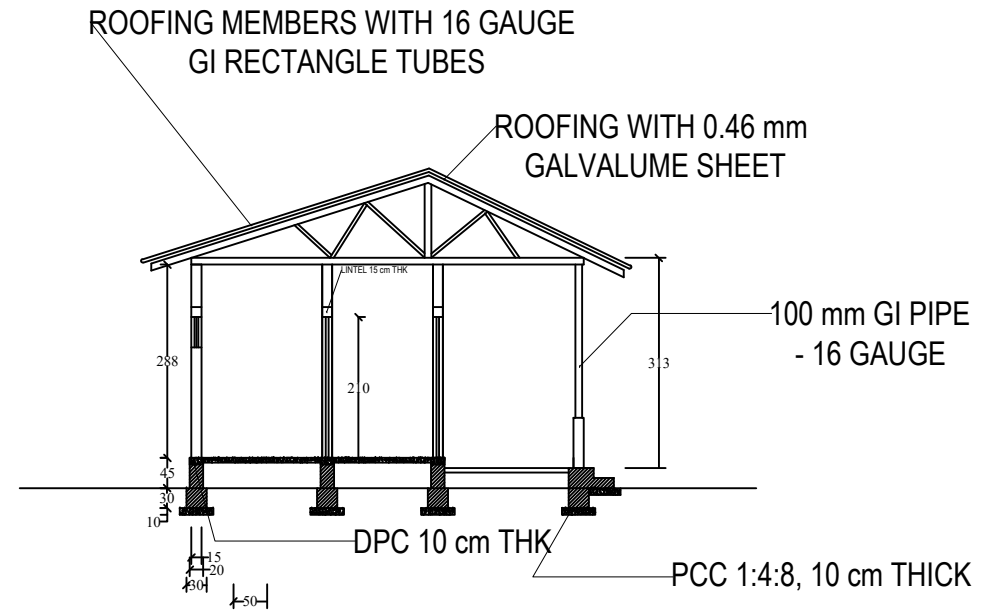


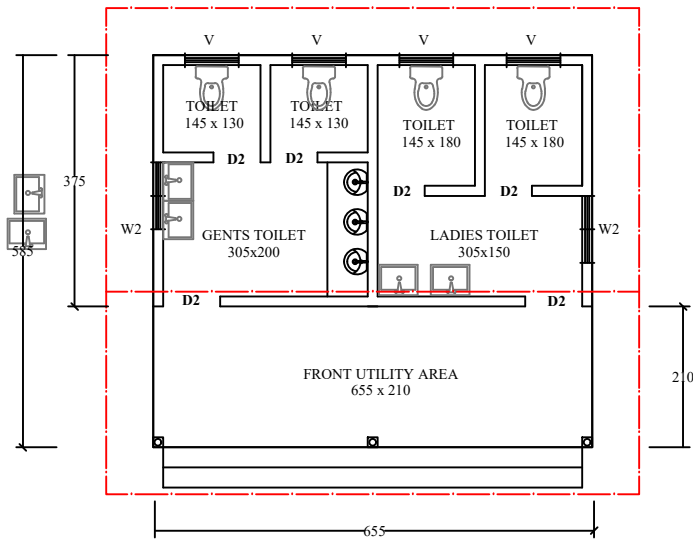
**PLAN OF PROPOSED STORE CUM TOILET BLOCK FOR CRICKET GROUND AT M.A COLLEGE,
KOTHAMANGALAM**



FRONT VIEW



SECTION AT XX



PLAN

DOOR	D2	80 x 210
WINDOWS	W2	100 x 135
VENTILATOR	V	80 x 40
ROLLING SHUTTER	RS	300 x 240

PLINTH AREA = 38.32 SQM

ALL DIMNS ARE IN mm
SCALE : NTS