

SUMP TANK LAYOUT PLAN

LEAVE DOWELS
10 Φ @ 150c/c FROM
SHOE& FOLD BACK INTO
BOTTOM SLAB TYP

** AS PER MANUFACTURES SPECIFICATION & ARCH. DRAWING.

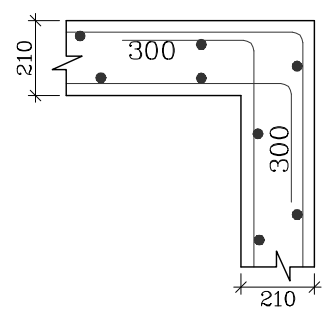
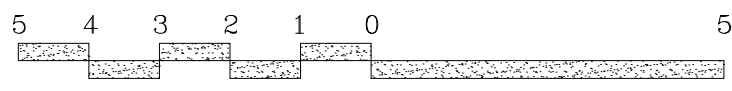
10 Φ @ 150 c/c
TOP & BOT

ABBREVIATIONS

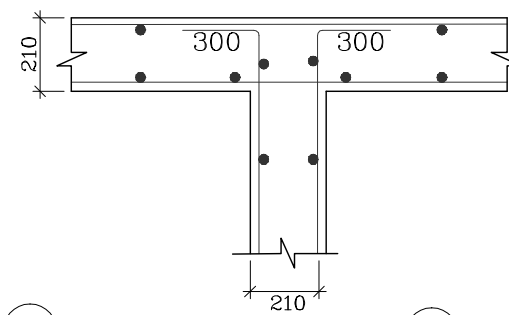
BF	-	BOTHFACE
BW	-	BOTHWAYS
BOT	-	BOTTOM
c/c	-	CENTRE TO CENTRE
8 @150 c/c	↑	SPACING IN mm
	—	GRADE Fe500
	—	DIA OF BAR

NOTE: -

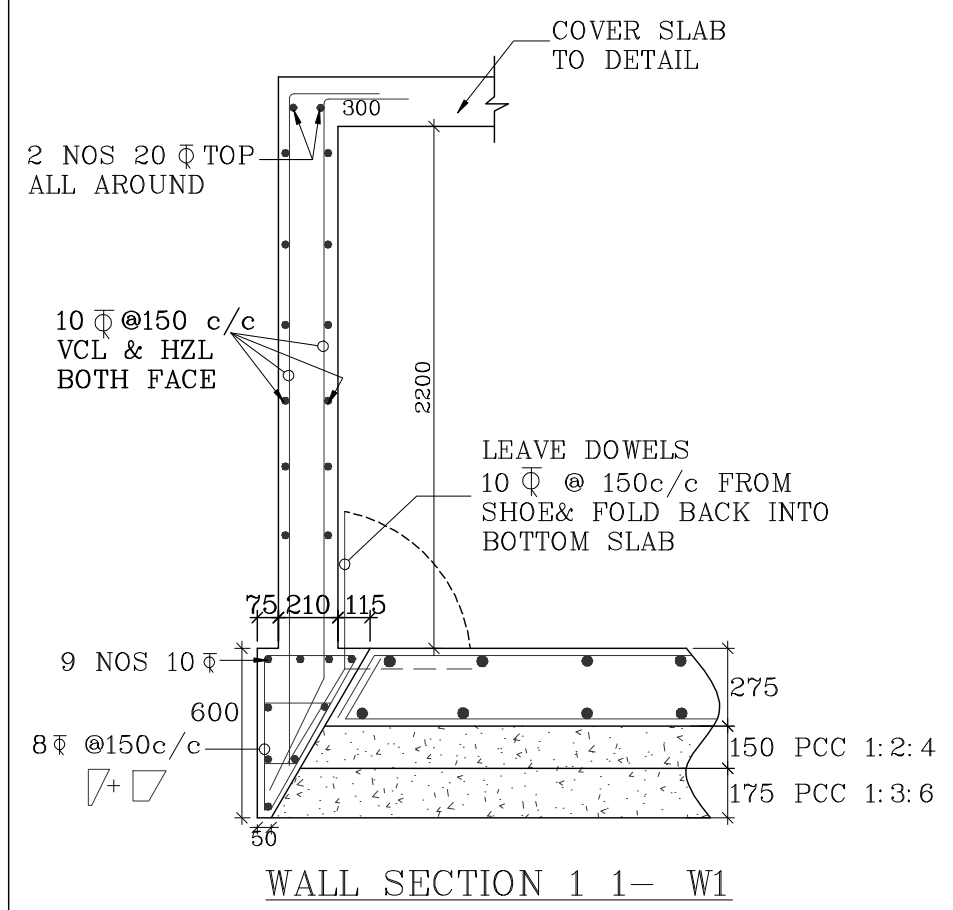
- *ALL DIMENSIONS ARE IN MILLIMETERS UNLESS SPECIFIED OTHER WISE.
- *DIMENSIONS SHALL NOT BE SCALED OFF THIS DRAWING. WHEN IN DOUBT, DON'T MEASURE DRAWING, DON'T ASSUME ANYTHING, BUT ASK US. (PH: 0484) 220 30 98).
- *STEEL GRADE TOR 50(Fe 500) FOR ALL BARS
- *ALL LAPS ARE 60 TIMES DIA OF BARS.
- *NOMINAL COVER 50 mm ON SOIL FACE AND 30 mm ON WATER FACE.
- *FOR CENTRE LINE DIMENSIONS REFER ARCHITECTURAL DRAWINGS ONLY.
- MIX M25 FOR CONCRETE WITH MIN CEMENT CONTENT=400Kg/CUM



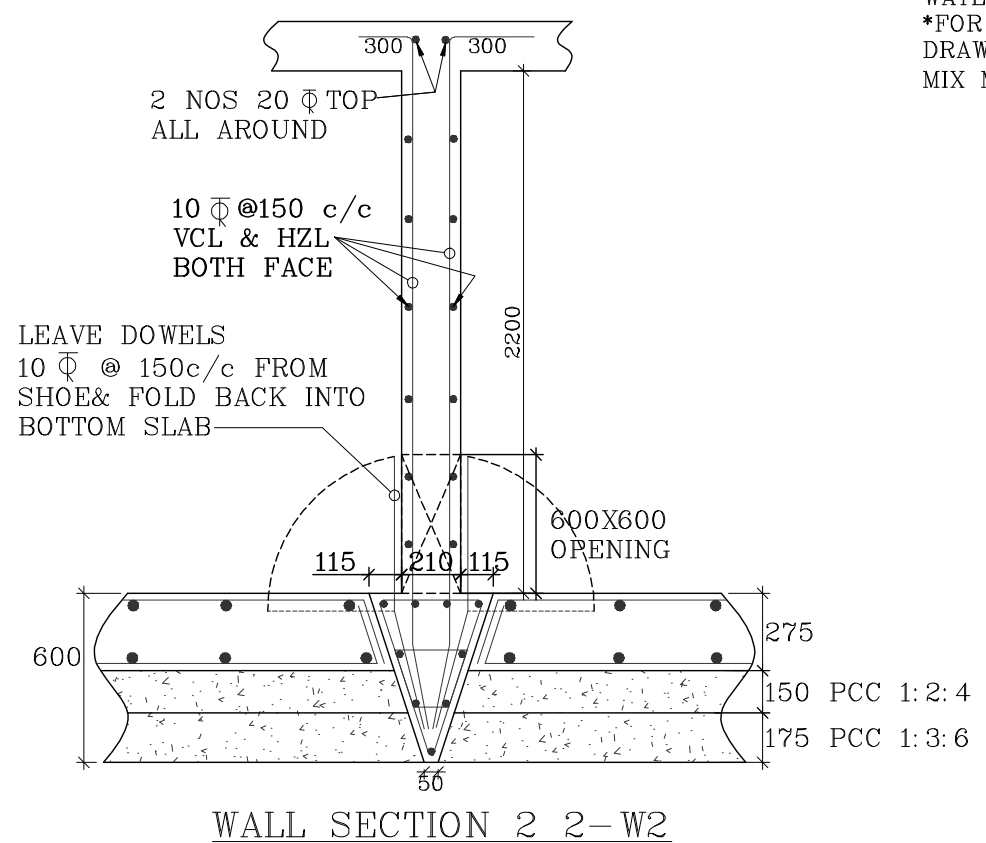
PLAN DETAIL (X)



PLAN DETAIL (Y)



WALL SECTION 1 1- W1



WALL SECTION 2 2- W2

NO	DATE	REVISION
EXECUTION OF DRAWINGS AT SITE IS THE RESPONSIBILITY OF THE OWNER/CONTRACTOR OR THEIR ASSIGNEES AND M/S ASSOCIATED STRUCTURAL CONSULTANTS IS NOT RESPONSIBLE FOR ANY ALTERATION, DEFECTS (BOTH IN MATERIAL AND CONSTRUCTION METHODOLOGY) AND ACCIDENTS AT SITE EXCEPT FOR ANY FAULT IN THE STRUCTURAL DESIGN AS REPRESENTED IN THIS DRAWING.		
TEMPORARY BRACING AND SHORING AGAINST LATERAL FORCES AND ALL CONSTRUCTION LOADS THROUGHOUT THE CONSTRUCTION PROCESS IS THE RESPONSIBILITY OF THE CONTRACTOR.		
THIS STRUCTURAL DESIGN/DRAWING IS PREPARED BY ADHERING TO THE CODES OF PRACTICE IN FORCE IN INDIA AND IS THE SOLE PROPERTY OF M/S ASSOCIATED STRUCTURAL CONSULTANTS AND IS SUBJECT TO THEIR RECALL AND MUST NOT BE USED, COPIED, LENT OR REPRODUCED IN ANY MANNER WHATSOEVER WITHOUT THEIR WRITTEN PERMISSION.		

ASSOCIATED STRUCTURAL CONSULTANTS
 SOUPARNIKA, 38/2547B, CHEMMATH ROAD, GANDHI NAGAR, KOCHI-682 017.
 Phone/Fax: +91 484 220 3098, 220 3106, E-Mail: asckochi@gmail.com

PROJECT: PROPOSED AUDITORIUM BUILDING AT THUMBA
 CLIENT: Ar. SANTHOSH PAUL M, COCHIN.

TITLE	STP DETAILS	DATE	25-02-2019	REV	0
DRAWN	PARVATHY	SCALE	1:100	JOB NO	20/16
DESIGNED	PS	CHECKED	SS	DRG NO	S10/AT
ISSUED FOR :- CONSTRUCTION				SHEET NO	1 OF 1